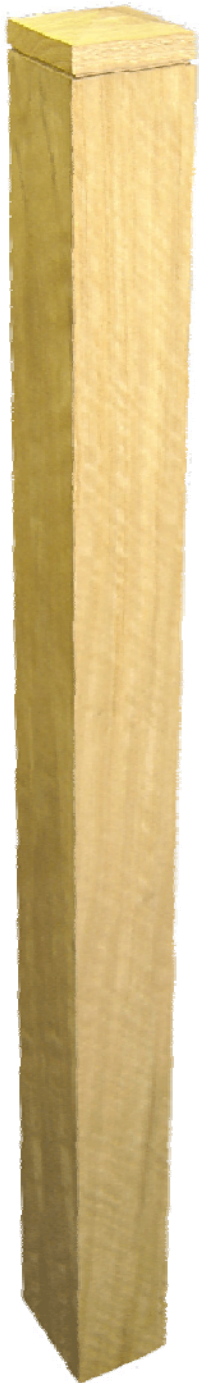


Eco-Post by Hammersmith



What is an *Eco-Post* ?

It is an engineered product that has the *appearance* of being solid timber, but is in fact made up by an outer core comprising of a box of 15mm wall thickness and an inner solid core (with the exception of 50mm of the top of the post, where it is hollow so that the cap can be fitted).

Why the word *Eco* ?

This word is often used to describe the sustainable use of timber. The outer core of this product is made using expensive timbers such as Spotted Gum and Jarrah; where as the inner core uses inexpensive timber such as Pine. By producing the post in this way we are able to use 45% less of the expensive timber that would traditionally be used to produce a 90 x 90 laminated post. We believe the *Eco-Post* represents a more sustainable way of using timber.

What are its features (compared to a traditionally laminated timber post) ?

- The lamination is on the corners, therefore the post appears to be solid.
- Lighter in weight, easier to handle.
- **No assembly required, sanded ready to install.**
- More stable. Normally these posts would be made by face laminating together boards of ex 50mm or 38mm stock. Getting these sizes correctly kiln dried can present a challenge & the risk of delaminating is high. The *Eco-Post* uses 25mm boards that are easier to dry, and when combined with a Pine kiln dried core the risk of delaminating is significantly less.
- Oh, did I mention the fact that it is cheaper !

Specifications

- Size : 1400 x 90 x 90 (this does not include the height of the cap)
- Solid core from bottom to 50mm from top
- 2 caps are made specially for the post, a Pyramid and Domed style; but any of our regular post caps (see current catalogue) can also be used.
- Available ex-stock in Spotted Gum, Blackbutt, Sydney Blue Gum & Jarrah. Other timbers are available on request.
- Also available in a configuration that will allow you to extend the post to a length of 2.8 metres.



Domed Post Cap



Pyramid Post Cap

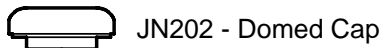


Hollow top of post for the cap to be fitted into

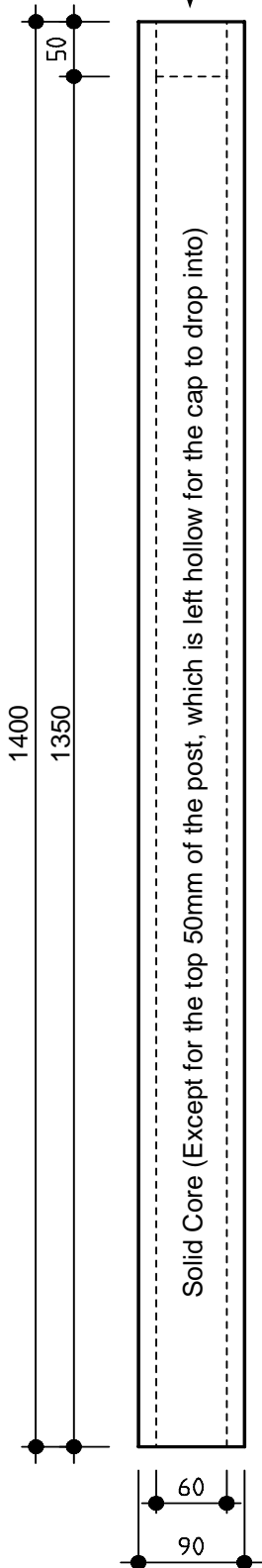
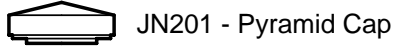


Bottom of the post that shows the solid core

Eco-Post by Hammersmith

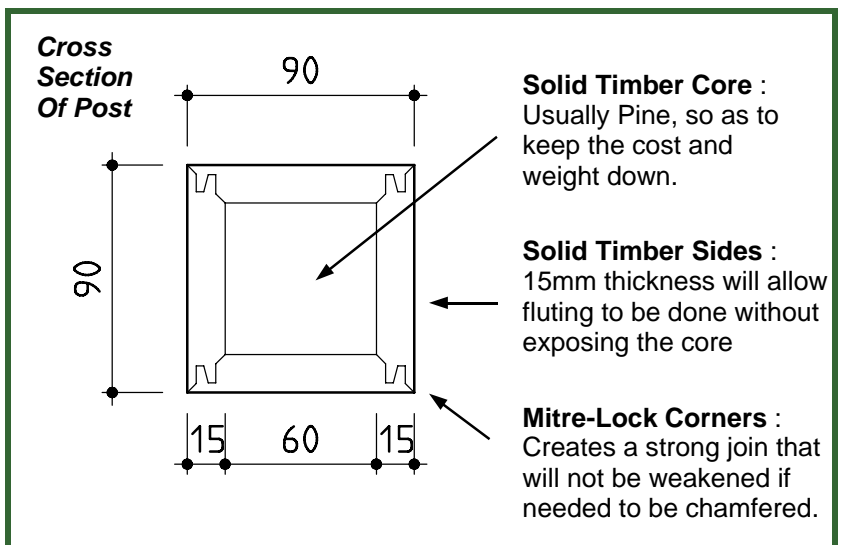


or



JN200 - Post

Code	Product
JN200	Post 1400 x 90sq
JN201	Pyramid Cap
JN202	Domed Cap
Timbers applicable for these prices; Spotted Gum, Blackbutt, Sydney Blue Gum and Jarrah.	



Manufactured by

Hammersmith Woodturners Pty Ltd

14 Hocking St Brompton SA 5007

Ph : 08 8346 8211 Fax : 08 8346 0135 Email : sales@hammersmith.com.au

Released July 2008